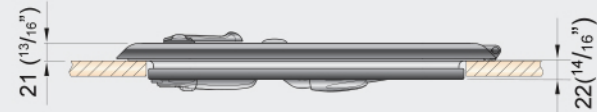




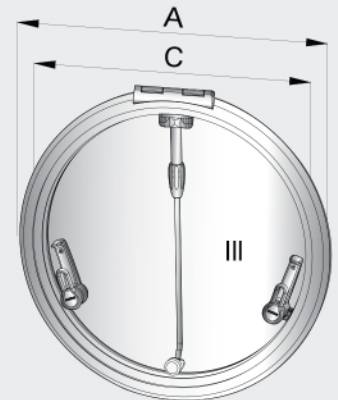
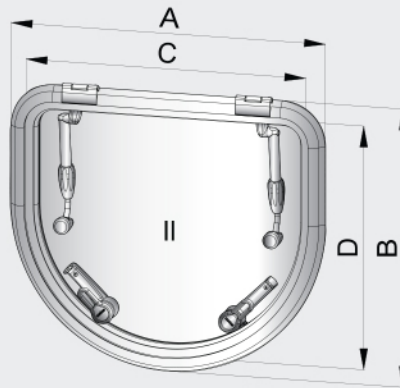
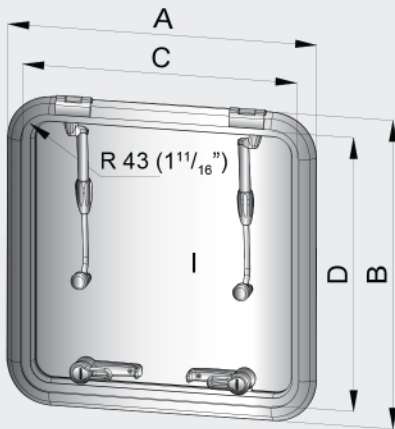
The ALTUS range features a sturdy aluminium profile which is only 21 mm ( $13/16''$ ) high. They are CE classified: All, which means to say that they are designed for ocean use and can be fitted on deck. These hatches are provided with carefully designed hatch adjusters, which are both stylish and easy to operate. They allow the lid to be held open at any angle through ninety degrees. Like other VETUS hatches, the ALTUS range can be opened from inside or outside the boat. They can also be left locked; either completely watertight or in a ventilation position.

The frame profile is satin sheen anodized. It recesses 22 mm ( $6/7''$ ) below the deck surface. The acrylic has a thickness of 10 mm ( $2/5''$ ) and the colour is "dark smoke". An aluminum counter flange and a mosquito screen are available for these hatches.



**ALT**

CE classified: All



	Escape hatches					Hatches				Ventilation hatches	
	I		II		III	I		III	I	II	
External dimensions in mm (inches)	ALT6363S	ALT5151S	ALT4747S	ALTD520S	ALTR520S	ALT4242S	ALT5038S	ALT5038S	ALTR420S	ALT2626S	ALTD420S
A x B	701 (27 <sup>10</sup> / <sub>16</sub> '' x 701 (27 <sup>10</sup> / <sub>16</sub> ''	585 (23 <sup>1</sup> / <sub>16</sub> '' x 585 (23 <sup>1</sup> / <sub>16</sub> ''	544 (21 <sup>7</sup> / <sub>16</sub> '' x 544 (21 <sup>7</sup> / <sub>16</sub> ''	592 (23 <sup>5</sup> / <sub>16</sub> '' x 524 (20 <sup>5</sup> / <sub>8</sub> ''	∅ 592 (23 <sup>5</sup> / <sub>16</sub> ''	495 (19 <sup>9</sup> / <sub>16</sub> '' x 495 (19 <sup>9</sup> / <sub>16</sub> ''	581 (22 <sup>14</sup> / <sub>16</sub> '' x 451 (17 <sup>3</sup> / <sub>7</sub> ''	531 (20 <sup>14</sup> / <sub>16</sub> '' x 401 (15 <sup>13</sup> / <sub>16</sub> ''	∅ 491 (16 <sup>9</sup> / <sub>16</sub> ''	334 (13 <sup>3</sup> / <sub>16</sub> '' x 334 (13 <sup>3</sup> / <sub>16</sub> ''	491 (19 <sup>5</sup> / <sub>16</sub> '' x 26 (12 <sup>13</sup> / <sub>16</sub> ''
Cut-out dimensions in mm (inches)											
C x D	627 (24 <sup>11</sup> / <sub>16</sub> '' x 627 (24 <sup>11</sup> / <sub>16</sub> ''	507 (19 <sup>15</sup> / <sub>16</sub> '' x 507 (19 <sup>15</sup> / <sub>16</sub> ''	470 (18 <sup>8</sup> / <sub>16</sub> '' x 470 (18 <sup>8</sup> / <sub>16</sub> ''	518 (20 <sup>6</sup> / <sub>16</sub> '' x 450 (17 <sup>11</sup> / <sub>16</sub> ''	∅ 518 (20 <sup>6</sup> / <sub>16</sub> ''	421 (16 <sup>9</sup> / <sub>16</sub> '' x 421 (16 <sup>9</sup> / <sub>16</sub> ''	507 (19 <sup>15</sup> / <sub>16</sub> '' x 377 (14 <sup>13</sup> / <sub>16</sub> ''	457 (18'' x 327 (12 <sup>14</sup> / <sub>16</sub> ''	∅ 417 (16 <sup>7</sup> / <sub>16</sub> ''	260 (10 <sup>1</sup> / <sub>4</sub> '' x 260 (10 <sup>1</sup> / <sub>4</sub> ''	417 (16 <sup>7</sup> / <sub>16</sub> '' x 252 (9 <sup>15</sup> / <sub>16</sub> ''

## Hatch trims with mosquito screen

All VETUS hatches from the Altus and Magnus ranges can now be supplied with an adjustable depth trim complete with mosquito screen. These white synthetic trims are designed to cover the aperture between the hatch and the headlining inside the boat. The depth of the flange can be easily cut to size, to make them suitable for any deck thickness. An integral and hinged mosquito screen provides complete protection against unwelcome insects. The screen can be easily removed if required to facilitate cleaning.



Mosquito screen